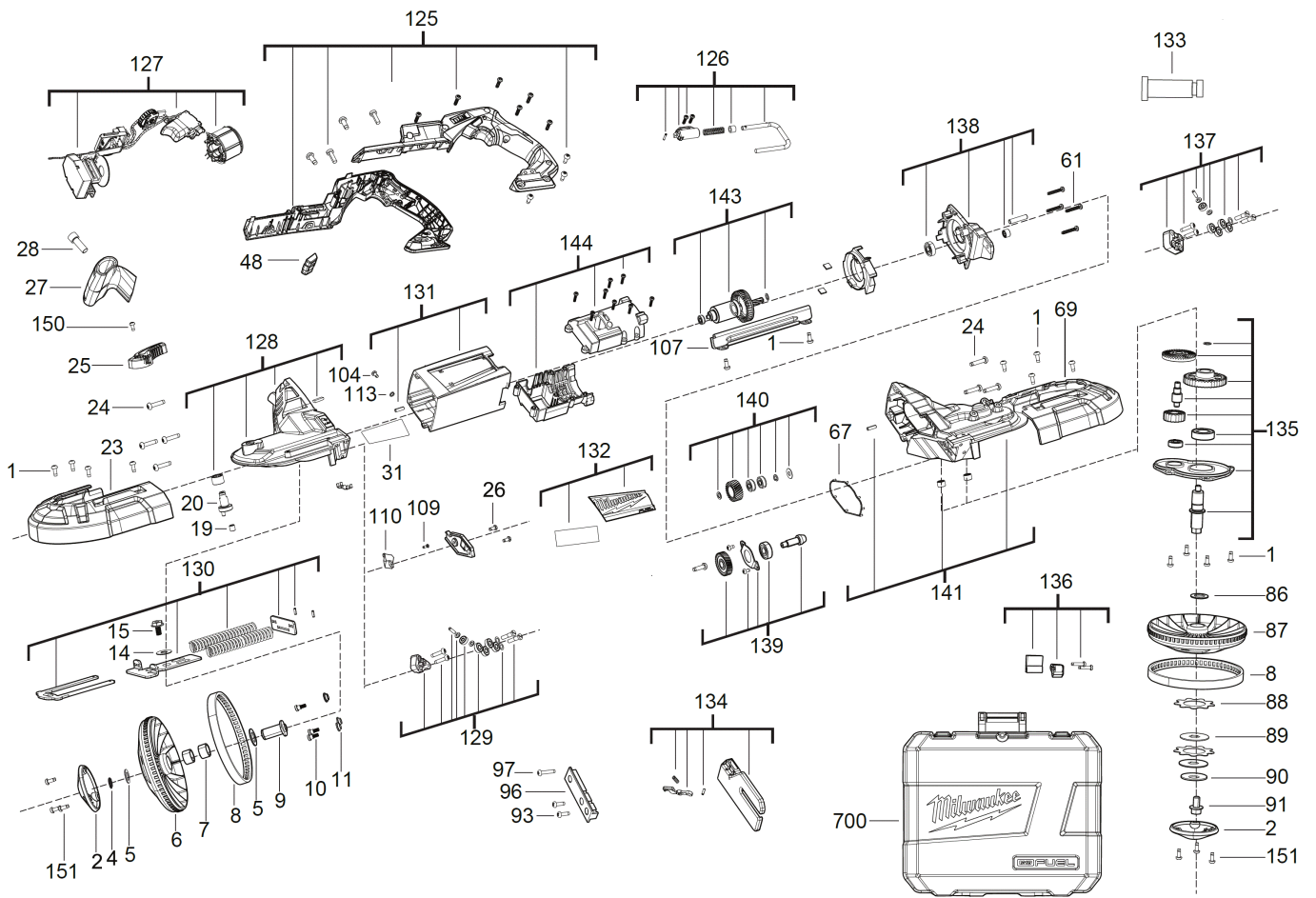


M18CBS125-502C BTY. BAND SAW IN2

4933448195 - M18CBS125-502C - 4000477022





Position	Quantity	Description	Part number	EAN
0001	23	SCREW TORX SCREW	06825314	4002395851935
0002	2	PULLEY	4931436230	4002395885480
0004	1	PROTECTION WASHER	4931436231	4002395885497
0005	2	SPACER	4931436232	4002395252008
0006	1	PULLEY	4931472895	4058546331979
0007	2	BUSH	4931472894	4058546331962
0008	2	BELT	4931436235	4002395252039
0009	1	BOLT	4931472893	4058546331955
0010	3	SCREW	5131000000	
0011	3	BUSH	4931436238	4002395252060
0014	1	WASHER	4931436239	4002395252077
0015	1	SCREW	660988001	4002395903795
0019	1	BUSH	5131000000	
0020	1	SHAFT	4931436241	4002395252091
0023	1	PULLEY	5131000000	
0024	7	SCREW	4931436244	4002395252725
0025	1	LEVER	4931436245	4002395252732
0026	2	SCREW	660023001	4002395830060
0027	1	HANDLE	4931436246	4002395252749
0028	1	SCREW	4931436247	4002395252756
0031	1	RATING PLATE	4931472899	4058546332013
0048	1	PUSH-BUTTON	4931436249	4002395253456
0061	4	SCREW	4931436250	4002395253449
0067	1	SEAL	4931436251	4002395253463
0069	1	SAW PROTECTION	4931436252	4002395253470
0086	1	STAMP	4931436253	4002395253487
0087	1	PULLEY	4931472892	4058546331948
0088	2	COUPLING	4931436255	4002395254125
0089	2	COUPLING	4931436256	4002395254132
0090	1	SPRING WASHER	4931436718	4002395808953
0091	1	SCREW	4931436258	4002395252770
0093	2	SCREW	4931436259	4002395252787
0096	1	COVER PLATE	4931436260	4002395254156
0097	1	SCREW	4931436261	4002395252794
0104	3	SCREW	5131000000	
0107	1	GUARD CAP	4931472896	4058546331986
0109	1	SCREW	4931436265	4002395253418
0110	1	Display	4931436266	4002395254187
0113	1	PROTECTION WASHER	680866003	4002395823895
0125	1	HANDLE COVER	5131000000	
0126	1	HOOK	4931436268	4002395254101
0127	1	ELECTRIC ELEMENT	4931436269	4002395254194
0128	1	PULLEY	5131000000	
0129	1	SUPPORT ROLL HOLDER	4931436271	4002395254804
0130	1	TENSION SPRING	4931436272	4002395254811
0131	1	MOTOR HOUSING	4931436273	4002395253432
0132	1	NAME PLATE	4931436274	4002395254828
0133	1	GREASE	5131000000	
0134	1	ACCEPTANCE	5131000000	
0135	1	GEAR BOX	4931436276	4002395254842

Position	Quantité	Désignation	Référence	EAN
0136	1	BRUSH	5131000000	
0137	1	GUIDE ROLLER	4931436278	4002395254866
0138	1	PACKING SET	4931436279	4002395254873
0139	1	BEVEL GEAR PAIR	4931436280	4002395254880
0140	1	GEAR BOX KIT	5131000000	
0141	1	GEAR BOX COVER	4931436282	4002395252107
0143	1	ARMATURE	4931436284	4002395252121
0144	1	MOTOR HOUSING	4931436285	4002395252138
0150	1	SCREW	4931452223	4002395180370
0151	6	SCREW	06827270	4058546068974
0700	1	CARRYING CASE	4931436229	4002395885473

M18CBS125-502C BTY. BAND SAW IN2

4933448195 - M18CBS125-502C - 4000447151



Position	Quantity	Description	Part number	EAN
0001	23	SCREW TORX SCREW	06825314	4002395851935
0002	2	PULLEY	4931436230	4002395885480
0004	1	PROTECTION WASHER	4931436231	4002395885497
0005	2	SPACER	4931436232	4002395252008
0006	1	PULLEY	4931436233	4002395252015
0007	2	BUSH	4931436234	4002395252022
0008	2	BELT	4931436235	4002395252039
0009	1	BOLT	4931436236	4002395252046
0010	3	SCREW	5131000000	
0011	3	BUSH	4931436238	4002395252060
0014	1	WASHER	4931436239	4002395252077
0015	1	SCREW	660988001	4002395903795
0019	1	BUSH	5131000000	
0020	1	SHAFT	4931436241	4002395252091
0022	1	STAMP	5131000000	
0023	1	PULLEY	5131000000	
0024	7	SCREW	4931436244	4002395252725
0025	1	LEVER	4931436245	4002395252732
0026	3	SCREW	660023001	4002395830060
0027	1	HANDLE	4931436246	4002395252749
0028	1	SCREW	4931436247	4002395252756
0031	1	RATING PLATE	5131000000	
0048	1	PUSH-BUTTON	4931436249	4002395253456
0061	4	SCREW	4931436250	4002395253449
0067	1	SEAL	4931436251	4002395253463
0069	1	SAW PROTECTION	4931436252	4002395253470
0086	1	STAMP	4931436253	4002395253487
0087	1	PULLEY	5131000000	
0088	2	COUPLING	4931436255	4002395254125
0089	2	COUPLING	4931436256	4002395254132
0090	1	SPRING WASHER	4931436718	4002395808953
0091	1	SCREW	4931436258	4002395252770
0093	2	SCREW	4931436259	4002395252787
0096	1	COVER PLATE	4931436260	4002395254156
0097	1	SCREW	4931436261	4002395252794
0104	3	SCREW	5131000000	
0106	1	SCREW	5131000000	
0107	1	GUARD	5131000000	
0108	1	COVER	5131000000	
0109	1	SCREW	4931436265	4002395253418
0110	1	Display	4931436266	4002395254187
0113	1	PROTECTION WASHER	680866003	4002395823895
0125	1	HANDLE COVER	5131000000	
0126	1	HOOK	4931436268	4002395254101
0127	1	ELECTRIC ELEMENT	4931436269	4002395254194
0128	1	PULLEY	5131000000	
0129	1	SUPPORT ROLL HOLDER	4931436271	4002395254804
0130	1	TENSION SPRING	4931436272	4002395254811
0131	1	MOTOR HOUSING	4931436273	4002395253432
0132	1	NAME PLATE	4931436274	4002395254828

Position	Quantité	Désignation	Référence	EAN
0133	1	GREASE	5131000000	
0134	1	ACCEPTANCE	5131000000	
0135	1	GEAR BOX	4931436276	4002395254842
0136	1	BRUSH	5131000000	
0137	1	GUIDE ROLLER	4931436278	4002395254866
0138	1	PACKING SET	4931436279	4002395254873
0139	1	BEVEL GEAR PAIR	4931436280	4002395254880
0140	1	GEAR BOX KIT	5131000000	
0141	1	GEAR BOX COVER	4931436282	4002395252107
0142	1	FAN HOUSING	5131000000	
0143	1	ARMATURE	4931436284	4002395252121
0144	1	MOTOR HOUSING	4931436285	4002395252138
0150	1	SCREW	4931452223	4002395180370
0700	1	CARRYING CASE	4931436229	4002395885473